

1204KL (30[□] x 10^L)

NMB

EMINEABEA.COM

General Specifications

Motor Protection:

Auto Restart/Polarity Protection

Insulation Resistance: 10M Ω or over with a DC500V Megger

Dielectric Withstand Voltage: AC 700V 1s

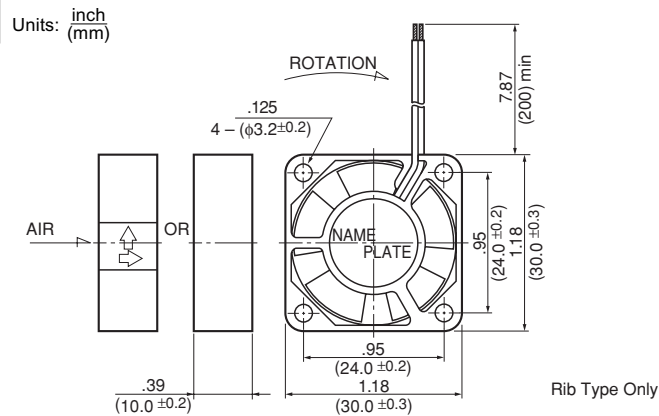
Allowable Ambient Temperature Range:

-10°C ~ +70°C (Operating)

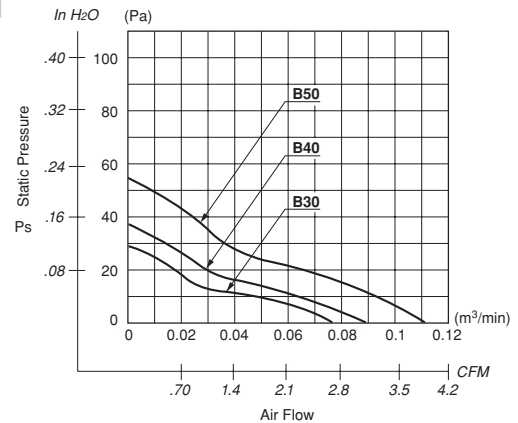
-40°C ~ +70°C (Storage)

(non-condensing environment)

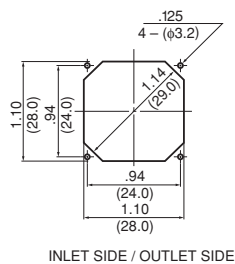
Outline



Characteristic Curves



Panel Cut-outs



Material

- Casing : Plastic (Black) 94V-0
- Impeller : Plastic (Black) 94V-0
- Bearing : Ball Bearing
- Lead Wire: UL1061, AWG26, +Red, -Black

Specifications

| MODEL | Rated Voltage | Operating Voltage | Current | Input Power | Speed | Max. Air Flow | | Max. Static Pressure | | Noise | Mass | |
|----------------|---------------|-------------------|-----------|-------------|-------|-------------------|-------------------------------------|----------------------|--------------------|-------|------|-----|
| | | | | | | CFM ^{*1} | (m ³ /min) ^{*1} | in H ₂ O | (Pa) ^{*1} | | | |
| 1204KL-01W-B30 | X00 | 5 | 4.5 ~ 5.5 | 0.10 | 0.50 | 7500 | 2.7 | 0.078 | .116 | 29.0 | 21.0 | 8.5 |
| 1204KL-01W-B40 | X00 | 5 | 4.5 ~ 5.5 | 0.14 | 0.70 | 9000 | 3.2 | 0.091 | .148 | 37.0 | 23.0 | 8.5 |
| 1204KL-01W-B50 | X00 | 5 | 4.5 ~ 5.5 | 0.18 | 0.90 | 10500 | 3.8 | 0.110 | .216 | 54.0 | 27.0 | 8.5 |
| 1204KL-04W-B30 | X00 | 12 | 6 ~ 13.8 | 0.06 | 0.72 | 7500 | 2.7 | 0.078 | .116 | 29.0 | 21.0 | 8.5 |
| 1204KL-04W-B40 | X00 | 12 | 6 ~ 13.8 | 0.07 | 0.84 | 9000 | 3.2 | 0.091 | .148 | 37.0 | 23.0 | 8.5 |
| 1204KL-04W-B50 | X00 | 12 | 6 ~ 13.8 | 0.08 | 0.96 | 10500 | 3.8 | 0.110 | .216 | 54.0 | 27.0 | 8.5 |

Rotation: Clockwise

Airflow Outlet: Air Out Over Struts

*1: Average Values in Free Air