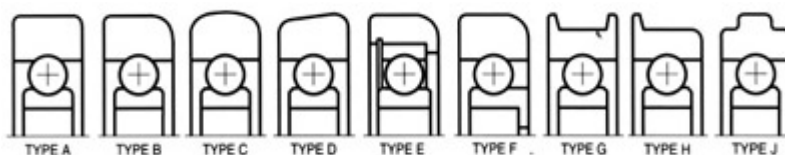


Mast Guide Bearings



Bearing No.		Type	Dimensions(mm)				Bearing No.	
I	II		d	D	C	B	III	IV
205SZZ-29		A	25.4	57.15	18.115	14		
			25	67	26	15		C32110
305SZZ-3	MG305DD	B	25	76.2	25.2	17	MG305-2RS-1	X421RS
305SZZ-6	MG305DDA	B	25.4	74.6	25.4	17	MG35-3	
		B	25	80	23	17		C3200
		B	25	79.5	23	17		C2917
		B	25	76	25.5	17		D2196
206SZZ-16		A	30	76.2	28.575	16	MG206-2RS-1	
	MG206FFA	D	30	81.28	25.4	19.586		
	MG206FFU	B	30	81	29	16.59		
	MG206FFUA	B	30	81.5	29	16.59		
	MG206FFUB	B	30	82	29	16.59		
	MG206FFP	B	30	88	29	16.59		
306SZZ-5	MG306DD	B	30	88.9	25.4	19	MG36-1	
	MG306DDB	B	30	82.55	26.975	19	MG36-2	
		B	30	88.8	25.3	19		C1303
207SZZ-20		I	35	70.36	17	17		
207MZZ-1	MG207FFA	A	35	81.864	27.1	17		X485RS
	MG207FFB	A	35	88.392	31.877	17		
	MG207FFR	A	35	88.392	31.75	17		
		B	35	94.5	25	17		
		B	35	94.5	25.2	17	MG27-10	
		A	35	82.15	27	17		B1689
		A	35	82	27	17		C126916
		A	35	120	28	17	SX07B95LLU C4PX1	
		A	35	95	28	17	SX07B93LLU C4PX1	
		D	40	100.84	25.4	19.588		
		E	40	95	28.58	21		
		E	40	101.35	28.575	21		
		C	40	97.6	25	18	SX00881LLU CS26PX1	
209MZZ-1	MG209DD	A	45	100.96	28.473	19		
		G	40	123	36	19		
210MZZ-1		A	50.8	103.28	32.542	32.542		

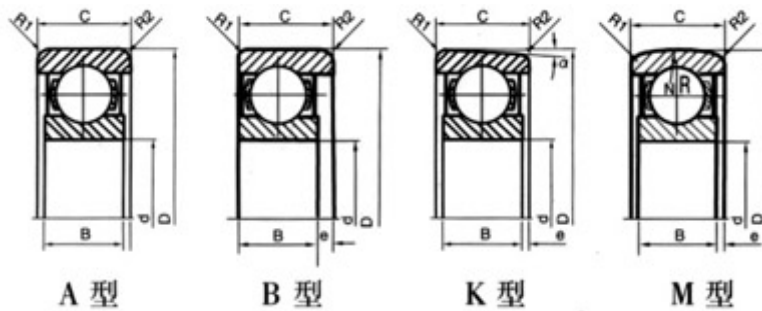
210MZZ-2		A	50.8	101.09	27	27		
		A	60	126.7	31	22		E209928
307SZZ-9	MG307FFK	B	35	94.615	25.4	21		
307SZZ-14		B	35	101.35	28.575	21	MG307-2RS-5	
307MZZ-2	MG307FFE	D	35	101.35	28.575	21		
307SZZ-8		A	35	100.76	36.513	21		
	MG307FFB	A	35	100.09	31.75	21		
	MG307FF	B	35	101.35	28.575	21		
307SZZ-10	MG307FFH	B	35	101.35	28.575	21	MG307-2RS-1	
307MZZ-4	MG307FFA	B	35	101.6	28.575	21	MG307-2RS-3	
307SZZ-4	MG307FF4	B	35	101.6	28.575	21		
	MG307FFM	C	35	101.35	29.575	21		
	MG307FFP	C	35	101.33	28.45	21		
		B	35	94	28	21	MG37-4	X376RS
		B	35	97	28	21	MG37-6	
		B	35	94.4	28	21	MG37-11	
		B	35	102	25.4	21	MG37-20	
		B	35	107.9	31	21	MG37-21	
		B	35	108.9	31	21	MG37-22	
		C	35	94	28	21	7E-SX07A76LLU C3PX1	
		C	35	105	28	21	7E-SX07A50LLU C3PX1	
		C	35	97	28	21	7E-SX07A47LLU C3PX1	
		C	35	102	28	21	7E-SX07A44LLU C3PX1	
		B	35	108.25	31	21	7E-SX07A31LLU C3PX1	
		B	35	107.55	31	21	7E-SX07A30LLU C3PX1	
		B	35	108.95	31	21	7E-SX07A29LLU C3PX1	

		C	35	97.2	28	21	7E-SX07A05LLU C3PX1	
		C	35	96.5	28	21	7E-SX0798LLUC 3PX1	
		B	35	88	25	21	SX0794LLUP X1	
		B	35	95.2	28	21	SX0789LLUC 3PX1/2A	
		B	35	88	25	21	SX0702LUPX 1	
		B	35	105	28	21	7C2-SX07C15LLU C3PX1	
		A	35	120	30.4	21	SX07002LLUP X1	
		A	35	120	28	21	SX07001LLUP X1	
		A	35	95	30.4	21	SX07B88LLU PX1	
		A	35	95	28	21	SX07B87LLU PX1	
DG3595			35	93.7	28	21		
83543		B	35	95	28	21		
308SZZ-4		G	40	100.08	25.575	23		
308SZZ-5	MG308FFA	B	40	113.94	31.75	23	MG308-2RS-1	
308SZZ-6	MG308FFE	B	40	114.2	28.194	23		
	MG308FFH	B	40	101.6	28.575	23		
	MG308FFAD	A	40	110.7	31	23		

	MG308FFAB	C	40	108.6	31	23		
		B	40	109.6	32	23	MG38-11	
		B	40	115	33	23	MG38-9	
		B	40	99	30	23	A36637	
			40	100	30	23	B36637	
		B	40	108.1	32	23	B2922	
		B	40	110	32	23	A88935	
			40	112.2	32	23	D3049	
		B	40	118.5	28	23	B705489	
		B	40	110.6	31	23	B220021	
		H	40	113.2	38	23		
		C	40	100	30	23	7E-SX08A61LLU C3PX1	
		C	40	115	32	23	7E-SX08A38LLU C3PX1	
		C	40	108.6	31	23	SX08A27LLU PX1/CA	
		B	40	115.55	33	23	7E-SX08A11LLU C3PX1	
		C	40	109.5	32	23	7E-SX0884LLUP X1	
		B	40	110.4	32	23	SX0872LLUP X1	
		A	40	120.5	34	23	SX0872LLUP X1	
		B	40	111.8	32	23	SX0870LLUP X1	
		C	40	100	30	23	SX0859LLUP X1	
309SZZ-4	MG309DDA	B	45	127.06	31.75	25	MG309-2RS-1	X501RS
309SZZ-5		B	45	127.06	31.75	27	MG309-2RS-3	
309SZZ-9		B	45	127.06	31.75	25		
309SZZ-1		C	45	128.22	31.75	25	MG309-2RS-2	
	MG309XX1	C	45	114	35	25		
	MG309XX2	C	45	115	35	25		
	MG309DD	C	45	128.11	31.75	25		
		B	45	115	35	25	MG39-3	
		B	45	117	40	25	MG39-4	
		A	45	119.72	29	25	MG39-5	
		B	45	123.5	34	25	MG39-6	
		B	45	114.5	34	25	MG39-8	

		B	45	124.5	34	25	MG39-9	
		B	45	115	31.6	25	MG39-10	
		B	45	114.4	36	29.3	MG39-12	
		B	45	121.5	36	25	MG39-13	
		B	50	129	35	27	MG30-1	
		B	50			27	MG30-2	
		B	50			27	MG30-4	
311SZZ-1		B	55	152.48	38.1	29	MG311-2RS-1	
311SZZ-2		B	55	164.29	38.1	29		
	MG311FFA	B	55	159.89	38.1	29		
		A	55	149.43	45.3	29	MG31-2	
		B	55	164.46	45	29	MG31-3	
		B	75	179.5	52	40	83A712/C3	
		A	75	180	45	40	83807C/C3	
		B	90	220	45	43	83550A/C3	
		A	75	180	45	40	83807C/C3	
		A	75	180	45	43	83550A/C3	

Forklift Mast Bearings

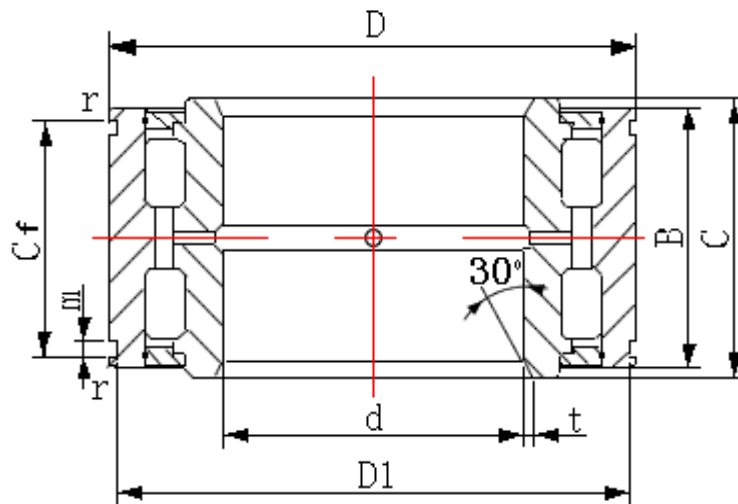


Bearing No.		Type	Dimensions(mm)				Bearing No.
I	II		d	D	C	B	
130304	L20304	B	20	60	16	15	
30505	80505K1	A	25	70	27	15	
130205	80505K2	B	25	70	17	15	L20205
30705		A	25	70	28	15	W120205
30805	80505K	A	25	80	22	16	
30805K	180705K	A	30	80	22	17	
30306		A	30	76	20	19	
130306	80606K	B	30	78	23	19	
110306F		M	30	77	23	19	L10306
110306H		M	30	78	23	19	L10306
110306L		M	30	79	23	19	L10306
130706	180706K	B	30	91.5	24	19	
130706K		B	30	91.5	24	20	
30806		A	30	90	22	17	
30307		A	35	80	25	21	
130307		B	35	102	25.5	21	

30507	80507K	A	35	100	26	18	
130607	80607K	B	35	102	25.4	20	
30807	80307K	A	35	90	31.34	21	
30208	80508K	A	40	116	24.5	18	L20208
30208K	80508K1	A	40	110	29	18	Y20208
30208K1	80508Y1	K	40	112.3	29	18	Y30208
30508K	80508Y	A	40	112.3	24.5	18	
30308	S20308	A	40	115	32	23	
30308S		A	40	111	30	23	
110308S		M	40	103	27	23	L40308
110308M		M	40	104	27	23	L40308
110308L		M	40	105	27	23	L40308
10308S		M	40	99	30	23	780308
10308M		M	40	100	30	23	780308
10308L		M	40	101	30	23	780308
30308M		A	40	112	30	23	
30308L		A	40	113	30	23	
130308	80608K	B	40	104	27	23	
130308K		K	40	109.7	28	23	
30708	180708K	A	40	109.7	32	23	80708K
30309		A	45	119	30	25	
130309K		K	45	118.5	26	25	
130709	80709K	B	45	119	29	25	
10709S		M	45	114	35	25	960709S
10709M		M	45	115	35	25	960769M
10709L		M	45	116	35	25	960709L
10309S		M	45	117	40	25	
10309M		M	45	118	40	25	
10309L		M	45	119	40	25	
30710	80710K	A	50	115.3	34	25	
30810K1	30810K	K	50	117.5	34	25	
30211	T20211	A	55	112	34	21	
30211K	J20211	A	55	110	34	21	
30211K1	J30211	K	55	111.8	34	21	
30711H	80711K	A	55	110	31.34	21	
30711K1	80711Y	K	55	112.2	31.34	21	
30711K1-C	80711Y2	K	55	111.2	31.34	21	
30711K1-G	80711Y1	K	55	116	31.34	21	
30511	80511K	K	55	116	34	25	
30511K	80511K1	A	55	117	34	25	
30711	80511K2	A	55	120	34	25	
30511K1	80511Y1	A	55	121.5	34	25	
30511K1-C	80511Y2	K	55	122.5	34	25	
30511K1-G	80511Y	K	55	120	34	25	980811/34
30811K1		K	55	121.4	36	25	
10311		M	55	151.5	45	29	
30311		A	55	151	45	33	980811/36
30411	80611K	A	55	161	42	33	680311
30611H	80611K2	A	55	151	45	33	

130611H	80611K1	B	55	151	45	33	
30512	80512K	A	60	150	45	35	
30313K	80613K3	K	65	161	45	33	
10313		M	65	183.5	45	33	
780306	6306	30	96	80	24	16	
780606K		30	87	75	34	22	
780506		30	134	115	32	22	
780308	6308	40	120	110	40	30	
780308K	6308	40	140	120	34	27	
780708	6308	40	118	100	32	26	
780708K	6308	40	118	100	34	27	
78070K1		40	113	95	32	21	
780408	6309	45	134	115	39	29	
780309	6309	45	138	125	58	34	
780309K	6309	45	126	110	36	25	
780309K1	6309	45	126	110	47	37	
780309K2	6309	45	126	110	30	25	
780309K3	6309	45	126	110	44	34	
780709	6309	45	126	110	38	28	
780709K	6309	45	125	110	35	25	
780310H	6310	50	148	134	41	25	
780310K	6310	50	141	122	46	27	
780711	6211	55	122	110.5	40	28	
780411		55	160	145	52	36	
722711		55	144	122	56	43	
780415		75	218	200	65	49	

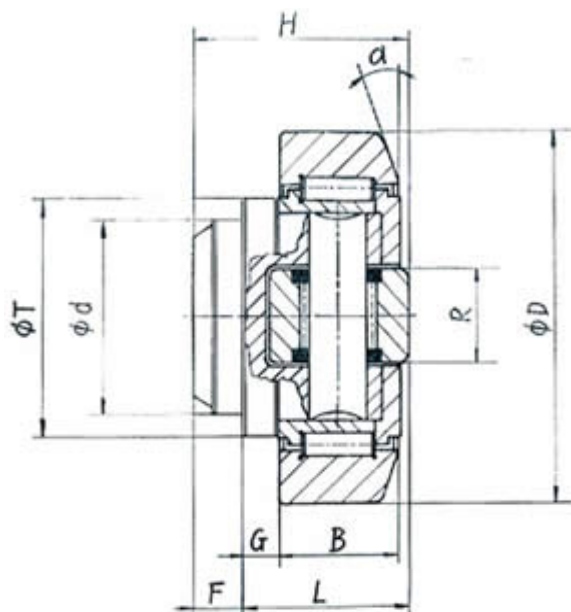
Double Row Full-Complement Cylindrical Roller Bearings



Bearing No.	Dimensions(mm)				Basic load ratings(KN)		Weight (kg)
	d	D	B	C	Cr	Cor	
NNF5008-2ZNV	40	68	38	37	80	116	0.56

NNF5009-2ZNV	45	75	40	39	96	144	0.7
NNF5010-2ZNV	50	80	40	39	100	158	0.76
NNF5011-2ZNV	55	90	46	45	118	193	1.18
NNF5012-2ZNV	60	95	46	45	123	208	1.26
NNF5013-2ZNV	65	100	46	45	128	224	1.33
NNF5014-2ZNV	70	110	54	53	171	285	1.87
NNF5015-2ZNV	75	115	54	53	197	325	1.97
NNF5016-2ZNV	80	125	60	59	205	350	2.71
NNF5017-2ZNV	85	130	60	59	214	380	2.83
NNF5018-2ZNV	90	140	67	66	305	540	3.71
NNF5019-2ZNV	95	145	67	66	310	560	3.88
NNF5020-2ZNV	100	150	67	66	330	580	3.95
NNF5022-2ZNV	110	170	80	79	385	695	6.57
NNF5024-2ZNV	120	180	80	79	400	750	7.04
NNF5026-2ZNV	130	200	95	94	535	1000	10.8
NNF5028-2ZNV	140	210	95	94	600	1120	11.1
NNF5030-2ZNV	150	225	100	99	690	1290	13.3
NNF5032-2ZNV	160	240	109	108	720	1390	16.6
NNF5034-2ZNV	170	260	122	121	925	1790	22.6
NNF5036-2ZNV	180	280	136	135	1090	2140	30.1
NNF5038-2ZNV	190	290	136	135	1100	2200	31.5
NNF5040-2ZNV	200	310	150	149	1300	2600	40.8
NNF5044-2ZNV	220	340	160	159	1570	3050	52.5
NNF5048-2ZNV	240	360	160	159	1630	3300	56
NNF5052-2ZNV	260	400	190	189	2380	4700	84.5
NNF5056-2ZNV	280	420	190	189	2600	5200	90
NNF5060-2ZNV	300	460	218	216	3000	5800	126

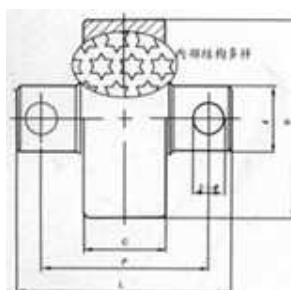
Compound idler wheel





Bearing No.	d (mm)	D (mm)	H (mm)	B (mm)	G (mm)	L (mm)	T (mm)	R (mm)
MR306	30	62	38.5	20	9	31.5	42	20
MR307	35	70.1	44	23	10.5	36	48	22
MR308	40	77.7	48	23	10.5	36.5	54	26
MR309	45	88.9	57	30	10.5	44	59	26
MR312-1	60	107.7	69	31	20	55	71	34
MR312-2	60	123	72.3	37	14	56	80	40
MR312-3	60	149	78.5	43	10.5	58.5	103	50

Side Roller Bearings



Bearing No.	Structure	Dimensions(mm)						Application
		d	D	C	L	P	φ	
L4902	roller pin type	15	34	30	58			IT
C40X62	double row type	21.4	40	21	62	45	9	1.5T
C40X80	double row type	21.4	40	30	80	60	11	1.5T
C58X65	double row type	21.4	58	22	65	48	11	3T
84904	roller pin type	20	42	37.6	80			3T
84905	roller pin type	25.4	52	38	84			5T
C47X65	double row type	24.4	47	22	65	48	11	15T
C47X80	double row type	24.4	47	30	80	60	13	3T
C58X80	double row type	30	58	32	80	60	13	4-5T
C2-3	sleeve bearing	20	58	30	80	60	12.5	2-3T
C6-10	sleeve bearing	30	82	34.5	90	70	13	6-10T
C110X115	pin roller type	40	110	45	115			15T